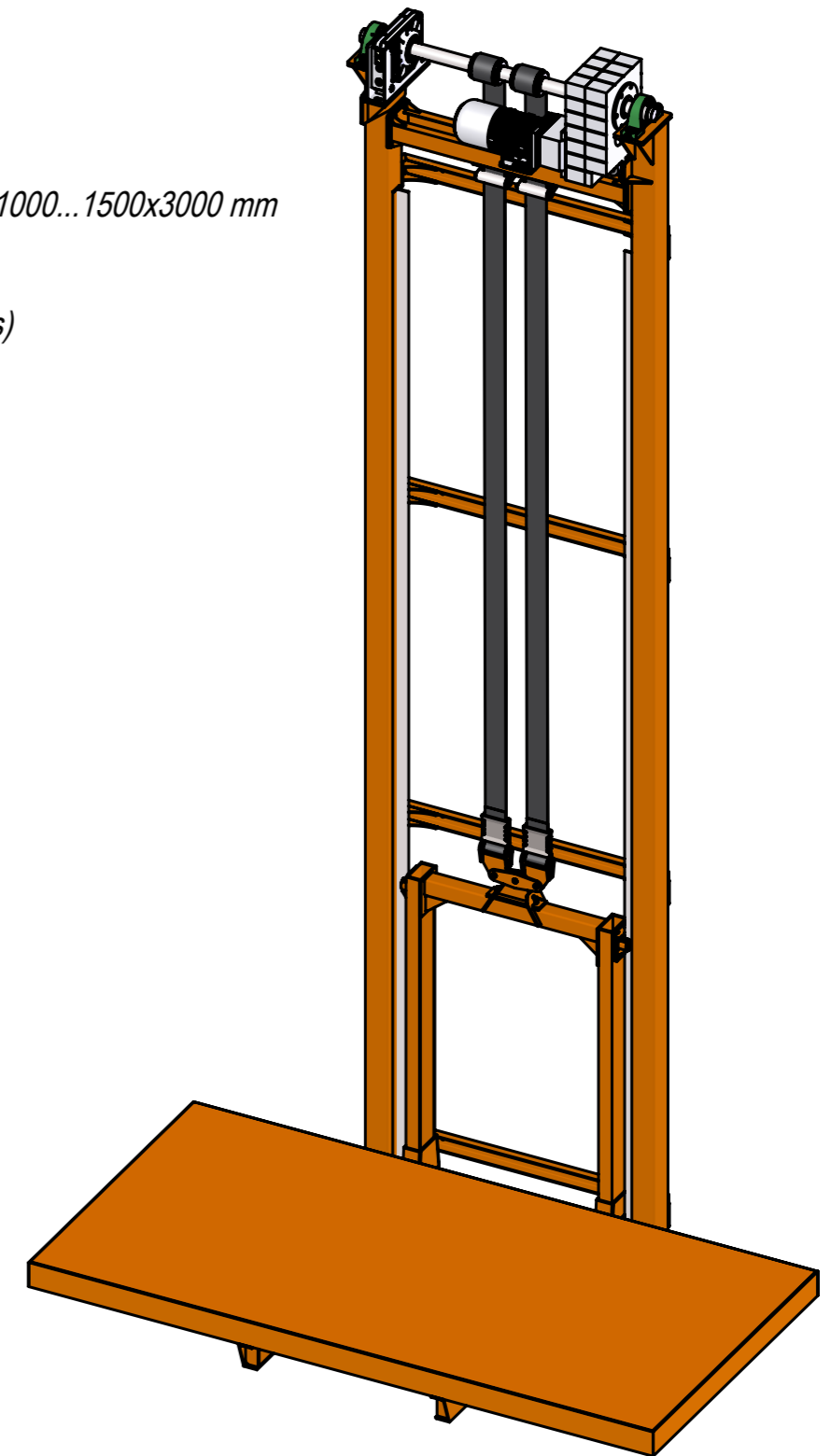
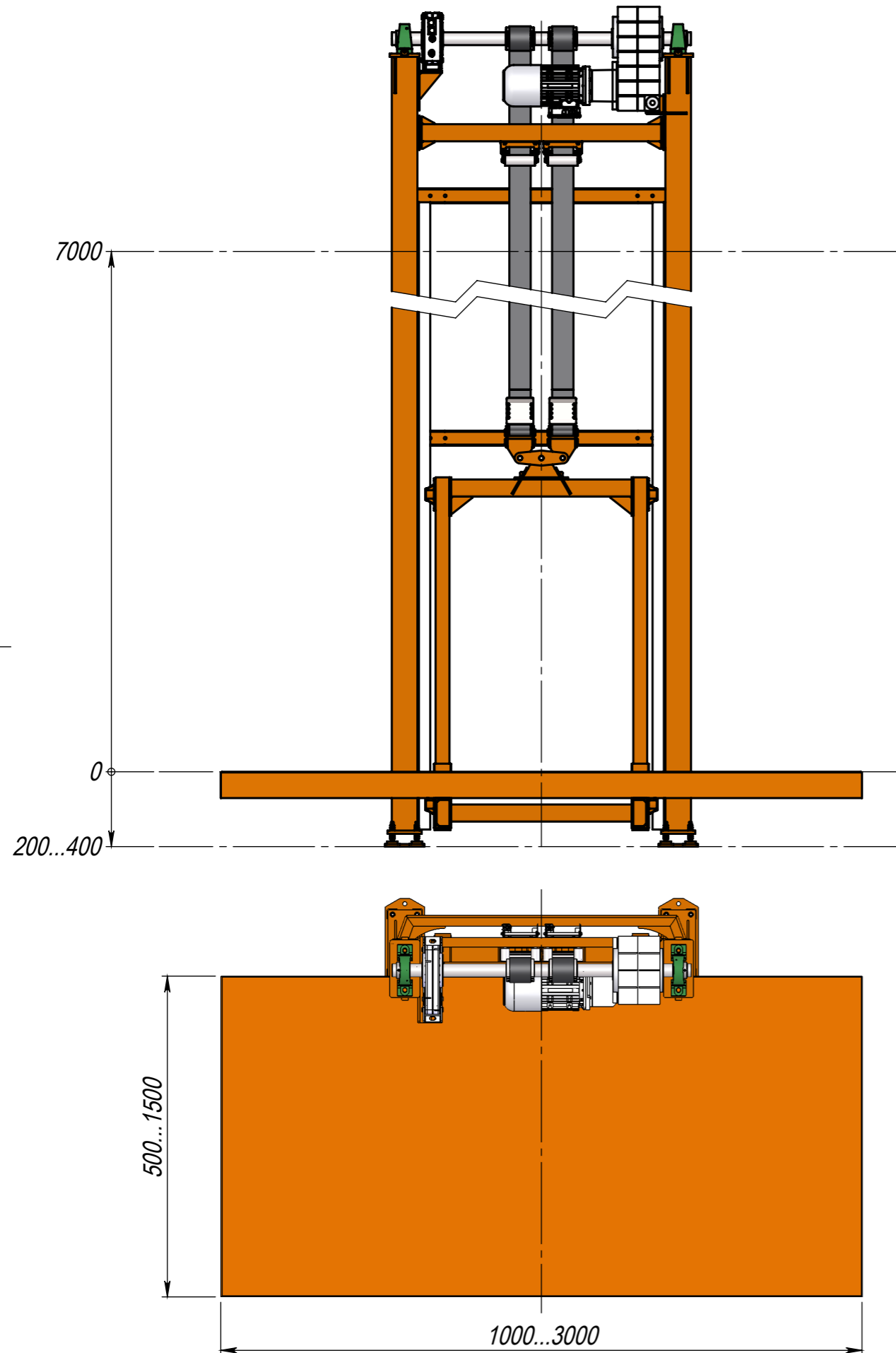


Technical specifications:

1. System- belt
2. Rated load- 500...2000 kg
3. Power supply- .....
4. Speed- 0,1 m/s
5. Platform dimensions- 500x1000...1500x3000 mm
6. Shaft dimensions- .....
7. Pit- 200...400 mm
8. Travel- 7000 mm (..... stops)



UNLESS OTHERWISE SPECIFIED: DIMENSIONS ARE IN MILLIMETERS SURFACE FINISH: TOLERANCES: LINEAR: ±IT12/2; H12; h12 ANGULAR:		FINISH:	DEBUR AND BREAK SHARP EDGES		DO NOT SCALE DRAWING	REVISION: -
NAME	SIGNATURE	DATE	TITLE:			
DRAWN N. Packovskij		23.06.2015	Industrial lift (A500; A1000; A2000)			
CHK'D			DWG NO.			
APPV'D			-			
MFG			A3			
Q.A			MATERIAL:	SCALE:1:25		
barduva			WEIGHT: -	SHEET 1 OF 1		